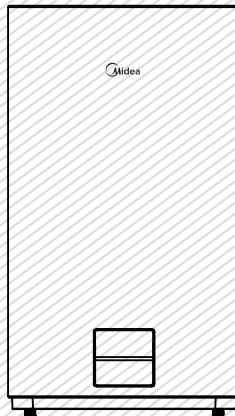


# Instruction Manual

For Model: D30-20ED6  
D50-20ED6  
D80-20ED6  
D100-20ED6



The diagram above is just for reference. Please take the appearance of the actual product as the standard.

Thank you very much for purchasing our water heater.  
Before installing and operating your water heater, please  
read this manual carefully and keep it for future reference.



### General Remark

- The installation and maintenance has to be carried out by qualified professionals or Midea authorized technicians.
- The manufacturer shall not be held responsible for any damage or malfunction caused by wrong installation or failing to comply with following instructions included in this pamphlet.
- For more detailed installation and maintenance guidelines, please refer to below chapters.

## TABLE OF CONTENTS

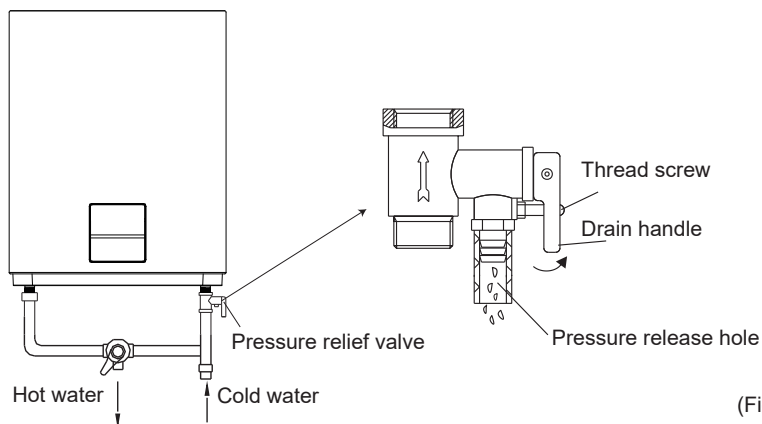
<u>TITLE</u>	<u>PAGE</u>
1.Cautions .....	(2)
2.Product introduction .....	(3)
3.Unit installation .....	(5)
4.Methods of using .....	(8)
5.Maintenance .....	(9)
6.Troubleshooting .....	(10)

## 1. CAUTIONS

Before installing this water heater, check and confirm that the earthing on the supply socket is reliably grounded. Otherwise, the electrical water heater can not be installed and used. Do not use extension boards. Incorrect installation and use of this electrical water heater may result in serious injuries and loss of property.

### Special Cautions

- The supply socket must be earthed reliably. The rated current of the socket shall not be lower than 10A. The socket and plug shall be kept dry to prevent electrical leakage.
- The installation height of the supply socket shall not be lower than 1.8m.
- The wall in which the electrical water heater is installed shall be able to bear the load more than two times of the heater filled fully with water without distortion and cracks. Otherwise, other strengthening measures shall be adopted.
- The pressure relief valve attached with the heater must be installed at the cold water inlet of this heater (see Fig.1), and make sure it is not exposed in the foggy. The water may be outflowed from pressure relief valve, so the outflow pipe must open wide in the air; The pressure relief valve need to be checked and cleaned regularly, so as to make sure it will not be blocked.



(Fig.1)

- When using the heater for the first time (or the first use after maintenance), the heater can not be switched on until it has been filled fully with water. When filling the water, at least one of the outlet valves at the outlet of the heater must be opened to exhaust the air. This valve can be closed after the heater has been filled fully with water.
- The water heater is not intended for use by persons (including children) with reduced physical, sensory or mental capabilities, or lack of experience and knowledge, unless they have been given supervision or instructions concerning use of the appliance by a person responsible for their safety. Children should be supervised to ensure that they do not play with the heater.
- During heating, there may be drops of water dripping from the pressure release hole of the pressure relief valve. This is a normal phenomenon. If there is a large amount of water leak, please contact customer care center for repair. This pressure release hole shall, under no circumstances, be blocked; otherwise, the heater may be damaged, even resulting in accidents.
- The drainage pipe connected to the pressure release hole must be kept sloping downwards.
- Since the water temperature inside the heater can reach up to 75 °C, the hot water must not be exposed to human bodies when it is initially used. Adjust the water temperature to a suitable temperature to avoid scalding.
- If the flexible power supply cord is damaged, the special supply cord provided by the manufacturer must be selected, and replaced by the professional maintenance personnel.

- If any parts and components of this electrical water heater are damaged please contact customer care center for repair.
- This appliance is not intended for use by persons (including children) with reduced physical, sensory or mental capabilities, or lack of experience and knowledge, unless they have been given supervision or instruction concerning use of the appliance by a person responsible for their safety.
- Children should be supervised to ensure that they do not play with the appliance.
- The maximum inlet water pressure is 0.5MPa; the minimum inlet water pressure is 0.1MPa, if this is necessary for the correct operation of the appliance.
- The water may drip from the discharge pipe of the pressure-relief device and that this pipe must be left open to the atmosphere; The pressure-relief device is to be operated regularly to remove lime deposits and to verify that it is not blocked.
- In order to drain away the water inside the inner container, it can be drained away from the pressure release valve. Twist the thread screw of the pressure release valve off, and lift the drain handle upwards.(See Fig.1) A discharge pipe connected to the pressure-relief device is to be installed in a continuously downward direction and in a frost-free environment.

## 2. PRODUCT INTRODUCTION

### 2.1 Nomenclature

**D \* - \* \* \***  
 ① ② ③ ④ ⑤

- ① is the product code of the storage electric water heater;
- ② is the capacity (L);
- ③ represents the rated power (\*100W);
- ④ represents the pattern code (eg : A,B,C...);
- ⑤ represents the extension of pattern (eg : 1,2,3...);



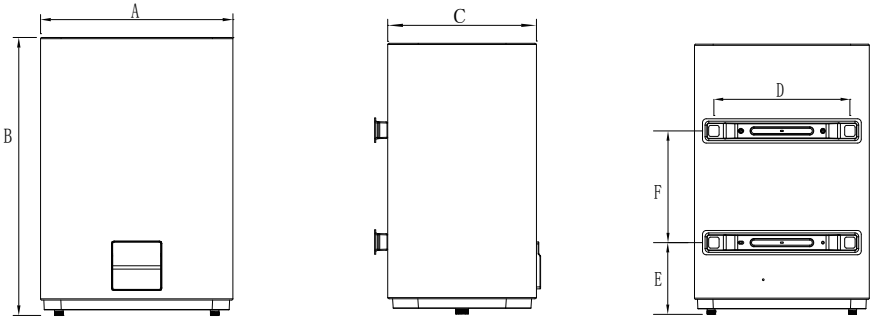
### NOTE

This manual is applicable to the storage electric water heaters (D \*-\*\*\*) manufactured by this company.

### 2.2 Technical Performance Parameters

Model	Volume (L)	Rated Power (W)	Rated Voltage (ACV)	Rated Pressure (MPa)	Max Of Water Temperature (°C)	Protection Class	Waterproof Grade
D30-20ED6	30	2000	220-240	0.75	75	I	IPX4
D50-20ED6	50	2000	220-240	0.75	75	I	IPX4
D80-20ED6	80	2000	220-240	0.75	75	I	IPX4
D100-20ED6	100	2000	220-240	0.75	75	I	IPX4

### 2.3 Brief introduction of product structure

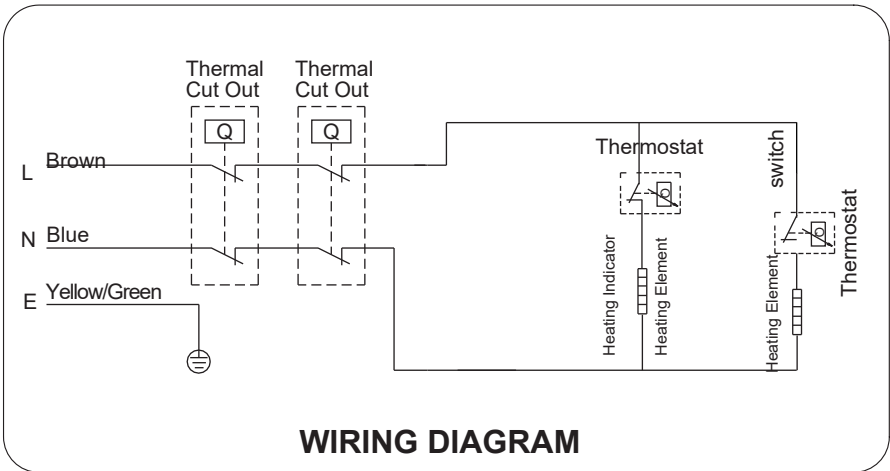


↑ **PRODUCT STRUCTURE FOR D\*-\*D**

	D30-20ED6	D50-20ED6	D80-20ED6	D100-20ED6
A	469	469	569	569
B	589	875	902	1087
C	245	245	295	295
D	365	365	485	485
E	183	183	265	265
F	302	470	365	550

(Note: All dimensions are in mm)

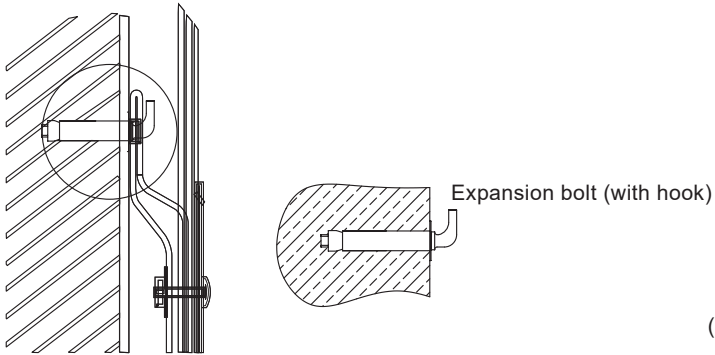
### 2.4 Internal Wire Diagram



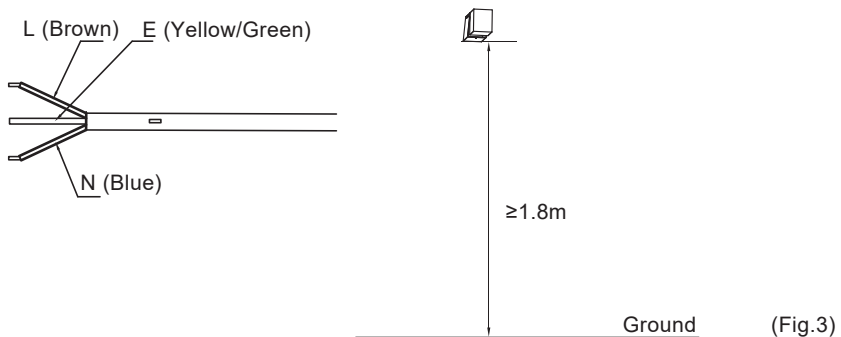
### 3. UNIT INSTALLATION

#### 3.1 Installation Instruction

- ① This electrical water heater shall be installed on a solid wall. If the strength of the wall cannot bear the load equal to two times of the total weight of the heater filled fully with water, it is then necessary to install a special support.  
In case of hollow bricks wall, ensure to fill it with cement concrete completely.
- ② After selecting a proper location, determine the positions of the two install holes used for expansion bolts with hook. Make two holes in the wall with the corresponding depth by using a chopping bit with the size matching the expansion bolts attached with the machine, insert the screws, make the hook upwards, tighten the nuts to fix firmly, and then hang the electrical water heater on it (see Fig.2).



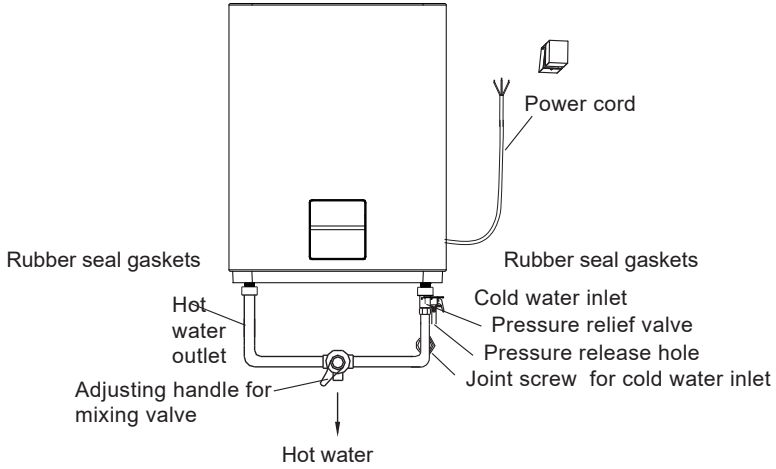
- ③ Install the supply socket in the wall. The requirements for the socket are as follows: 250V/10A, single phase, three electrodes. It is recommended to place the socket on the right above the heater. The height of the socket to the ground shall not be less than 1.8m (see Fig.3). If there is a fault on the power cable, it should be replaced by the manufacturer, agencies or qualified person who is able to do this so as to ensure safety.



- ④ If the bathroom is too small, the heater can be installed at another place. However, in order to reduce the pipeline heat losses, the installation position of the heater shall be as close to the location as possible to the heater.

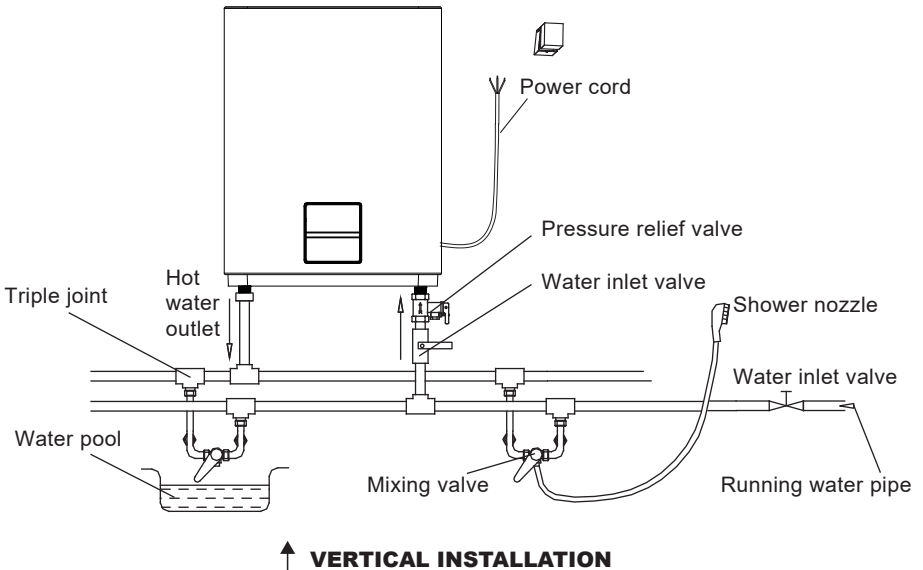
### 3.2 Pipelines Connection

- ① The dimension of each pipe part is G1/2" ; The massive pressure of inlet should use Pa as the unit; The minimum pressure of inlet should use Pa as the unit.
- ② Connection of pressure relief valve with the heater on the inlet of the water heater.
- ③ In order to avoid leakage when connecting the pipelines, the rubber seal gaskets provided with the heater must be added at the end of the threads to ensure leak proof joints (see Fig.4).



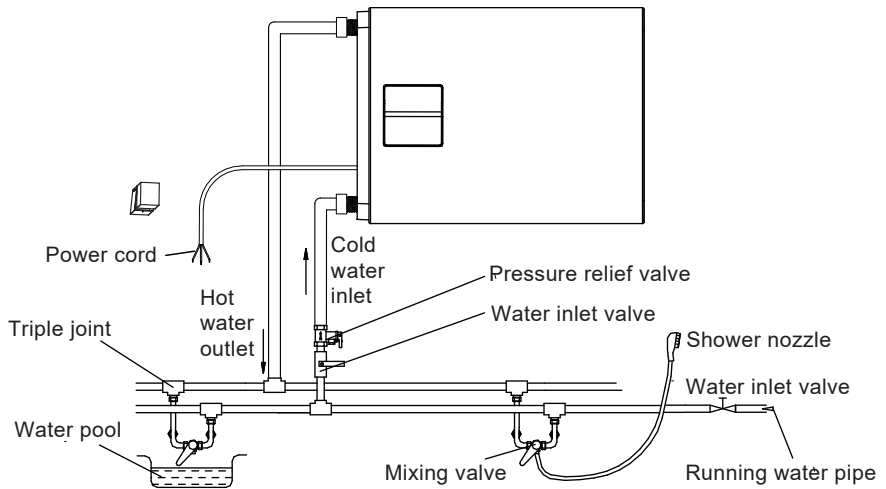
(Fig.4)

- ④ If the users want to realize a multi-way supply system, refer to the method shown in fig.5 and fig.6 for connection of the pipelines.



↑ **VERTICAL INSTALLATION**

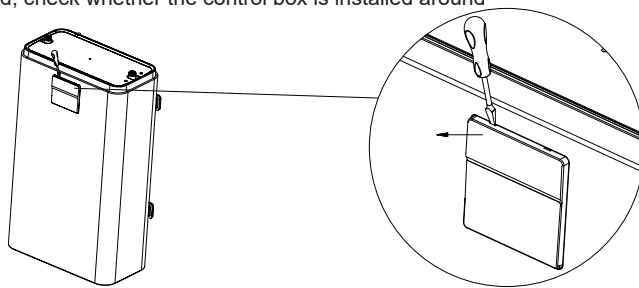
(Fig.5)



↑ **HORIZONTAL INSTALLATION**

(Fig.6)

- ⑤ Horizontal installation, the direction of the water pipe must be on the left, if you want to change the direction of the control box, must be professional operation!
- 1) First of all, the power supply must be disconnected and the power cord plug must be removed;
  - 2) Second, use a tool to pry open the reserved opening on the control box, and then install it after rotating the direction
  - 3) Third, check whether the control box is installed around



(Fig.7)

⚠ Only professional personnel are required for this operation



**NOTE**

Please be sure to use the accessories provided by our company to install this electric water heater. This electric water heater can not be hung on the support until it has been confirmed to be firm and reliable. Otherwise, the electric water heater may drop off from the wall, resulting in damage of the heater, even serious accidents of injury. When determining the locations of the bolt holes, it shall be ensured that there is a clearance not less than 0.2m on the right side of the electric heater, to convenient the maintenance of the heater, if necessary.

## 4. METHODS OF USING

- First, open any one of the outlet valves at the outlet of the water heater, then, open the inlet valve. The water heater gets filled with water. When water flows out of the outlet pipe it implies that the heater has been filled fully with water, and the outlet valve can be closed.

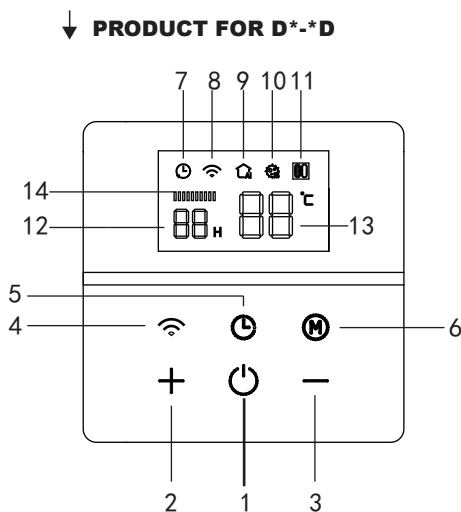


### NOTE

During normal operation, the inlet valve shall be always kept open.

- Insert the supply plug into the supply socket, the indicator will light up this time.
- The thermostat will automatically control the temperature. When the water temperature inside the heater has reached the set temperature, it will switch off automatically, when the water temperature falls below the set point the heater will be turned on automatically to restore the heating.

### 4.1 Operating Of The Unit



(Fig.8)

- ① "1" is the key to turn on or off the product by touching the switch 1;
- ② "2" "3" is the temperature control key; Touch "+" - "-" to adjust the temperature of the water heater. Each time you click the "+" "-" key, set the temperature to increase / decrease by 1 °C. If you press this key for a long time, it will increase / decrease at the rate of 5 °C / s
- ③ "4" is the wifi connection key. In the power on state, long press the switch "4" to connect the product and WiFi. At this time, the icon "8" starts to flash. After the connection is successful, the icon lights up
- ⑤ "5" is the appointment heating key. When you touch the key "5", the icon "7" will light up, the display "13" will turn into 55°C and "12" will flash. Press "+" - "-" to set the time (press "+" "-" 1 hour for each time). The time range is 2-23, and there is no action in 5S or click "5" again to confirm. At this time, the time has been confirmed and "13" will start flashing. Press "+" "-" to set the temperature. There is no action in 5S or click "5" again to confirm the completion. After the completion of the whole operation, the reservation setting is completed.

- ⑤ "6" is the mode key. When touching 6, if the icon 9 lights up, it means that the intelligent learning mode is entered. At this time, the default temperature is 75 °C; After one week of use, the product enters memory water mode.
- ⑥ Touch the key 6. If the icon 10 lights up, it means that the high temperature bacteriostasis mode is entered. At this time, the default temperature is 80 °C, and the temperature cannot be adjusted; After heating for 5 minutes, it will automatically return to double tank heating mode.
- ⑦ Touch key 6. When 11 on the screen lights up, it means that the single tank mode is entered. At this time, only one tank is heated.
- ⑧ 14 "is the hot water quantity display, all full grid shows that the hot water has been completely heated, and the flashing state shows that it is heating.

#### 4.2 Error code for serviceman's use

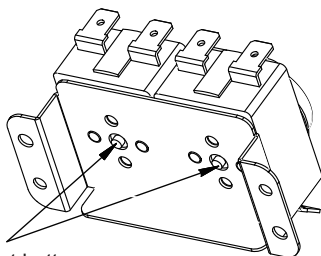
E2: Dry Ashing---Top up with water and re-heat.

E3: Overheating---Check the heating system or replace it.

E4: Sensor Fault---Check the sensor or replace it.

### 5. MAINTENANCE

- Temperature limiter cut off electricity if water heater is overheated or thermostat damages. Manual resetting is needed. Ressetting knob is as follows (see Fig.9).



Manual reset button

(Fig.9)



## WARNING

Non-professionals are not allowed to disassemble temperature limiter to reset. Please contact professionals to maintain. Otherwise our company will not take responsibility if any quality accident happens because of this

- Check the power supply plug and socket frequently to make sure that they have good, reliable contact and are well grounded without overheating phenomenon.
- If the heater is not used for a long time, especially in the regions with low atmospheric temperature (lower than 0 °C), the water inside the heater shall be drained away. This will prevent the damage to the heater due to water freezing in the inner container, (Refer Cautions in this manual for the method to drain away the water from the inner container).
- In order to ensure that the water heater operates efficiently for a long time, it is recommended to clean the inner container and the deposits on the electrical heating components periodically.
- It is recommended to examine the magnesium anode protection materials every six months or so. If all the material has been consumed, please replace with the new material.



## WARNING

Do not cut off power supply before maintenance, to avoid danger like electric shock.

### 6. TROUBLESHOOTING

Failures	Reasons	Treatment
The heating indicator light is off.	Failures of the temperature controller.	Contact with the professional personnel for repair.
No water coming out of the hot water outlet.	<ol style="list-style-type: none"><li>1. The running water supply is cut off.</li><li>2. The hydraulic pressure is too low.</li><li>3. The inlet valve of running water is not open.</li></ol>	<ol style="list-style-type: none"><li>1. Wait for restoration of running water supply.</li><li>2. Use the heater again when the hydraulic pressure is increased.</li><li>3. Open the inlet valve of running water.</li></ol>
The water temperature is too high.	Failures of the temperature control system.	Contact with the professional personnel for repair.
Water leak	Seal problem of the joint of each pipe.	Seal up the joints.



## NOTE

This products are not equipped with plug. Please contact professionals to purchase and install plug. Parts illustrated in this use and care manual are indicative only, parts provided with the product may differ with illustrations. This product is intended for household use only. Specifications are subject to change without notice.

The product is subject to change without notice.  
Please keep this manual properly.

Wuhu Midea Kitchen & Bath Appliances Mfg. Co., Ltd.

Address: East Road Wanchun, East Area Economic & Technological  
Development Area, Wuhu City, Anhui Province, P.R.China  
Web site: [www.midea.com/global](http://www.midea.com/global) Postal code: 241000

